

Technical Specifications

STARVIS 5MP Compact IR Bullet IP Camera

FOR INTERNAL/EXTERNAL APPLICATION

- 30fps at 5MP
- H.265, H.264 and MJPEG compression
- Superior low light performance
- True Day/Night and WDR
- Wave Stream : Smart Compression Technology based on bit rate Control, ROI
- Wave VCA * : Intelligence Built in Analytics at Camera Level
- Power over Ethernet (IEEE 802.3af)



CAMERA	
Model	IP- 30301LBO
Image Sensor	SONY STARVIS EXMOR 1/2.8" 5M CMOS
Effective Pixels	2592(H) x 1944(V)
Scanning System	Progressive scanning
AGC Control	Auto
IRIS Type	Auto Exposure
Minimum Illumination	Color : 0.1 Lux / BW : 0 Lux(IR LED On)
Lens	4.0 mm, F2.0
Angle of View	Horizontal: Approx. 82.3° Vertical: Approx. 58.8°
Shutter Time	Auto / Manual: 1/30 ~ 1/32,000, Anti-Flicker, Slow Shutter (1/2, 1/3, 1/5, 1/6, 1/7.5, 1/10)
Day & Night	True Day & Night (Removable IR-cut filter)
Wide Dynamic Range	True WDR, 120 dB
S/N Ratio	50 dB

IR ILLUMINATOR	
IR LED	High Power IR LED x 2
IR Working Distance	25m

VIDEO	
Video Compression	H.265, H.264, MJPEG
Profile	H.264 : MP / HP H.265 : MP
Multiple Profile Streaming Performance	2592x1944/30 + 480p30 with H.264, H.265 + MJPEG
Max Resolution	2592 x 1944
Video Bit Rate	100Kbps ~ 10Mbps Multi-rate for Preview and Recording
Bitrate Control	Multi Streaming CBR/VBR (Controllable frame rate and Bandwidth)
Digital Noise Reduction	3D-DNR
Privacy Mask	16 programmable zones
Special Features	Wavestream: Smart Bitrate Control, Region of Interest
Other Image Processing	Configurable Exposure, White Balance, Sharpness
Image Orientation	Flip / Mirror / Corridor Mode

AUDIO	
Audio Compression	-
Audio input / output	-

EVENT	
Event Trigger	Motion, Temperature critical
Pre-Post Recording	Pre: 1~5 sec Post: 1~240 sec
Event Notification	FTP, E-mail, SD card

NETWORK	
Ethernet Standard	10 / 100 Base-T
IP	IPv4
Protocol	TCP/IP, UDP, AutoIP, RTP(UDP/TCP), RTSP, NTP, HTTP, HTTPS, SSL, DNS, DDNS, DHCP, FTP, SMTP, ICMP, SNMPv1/v2/v3(MIB-2), ONVIF
Security	HTTPS(SSL), IP filtering, 802.1x, Digest Authentication
Plug In	ONVIF Profile S, CGI API

GENERAL	
Material	Aluminum Die-casting
External I/O Terminals	-
Language on webpage	English
Power Source	DC12V, PoE(IEEE 802.3af)
Power Consumption	DC12V Max 6.5W, PoE Max 8.3W
Operating Conditions	Humidity 10 ~ 90% RH (non-condensing) [DC12V / PoE] -30°C ~ 50°C (-22°F ~ 122°F)
Approvals	FCC, CE, IP67
Weight	0.5 kg
Dimensions (D x W)	163 mm x 67.5 mm

EDGE STORAGE	
Storage	1x microSD / microSDHC / microSDXC (card not included)

Technical Specifications

WAVEVCA: Intelligence Bult- in Cameras Analytics

Basic features

Analytics Engine WVCA Technology’s advanced tracking algorithm with rich library of detection behaviors

Detection Zones and Rules 40 zones (Multi-

segment Polygons and Lines) in total, 60 rules in total as standard

Intrusion Detection Detection of the presence of an object

Tamper Detection Supported as standard

Optional features

Detection Behavior Enter, Exit, Appear, Disappear, Stop, Direction, Dwell filter, Abandoned/Removed object filter, Tailgating

Logical Rules Extends standard rules to allow various combinations of the inputs

3D Behavior Perspective Corrected Size and Speed Filters

Object Classification - Configured Max./Min. object sizes and Max./Min. speeds

Counting Line High accuracy people and vehicle counting, 20 counters in total

Meta Data JSON format, Plain XML format

Basic features



Intrusion Detection



Zones & lines



Tamper Detection

Optional features*



Appear Filter



Disappear Filter



Dwell Filter



Enter Filter



Exit Filter



Stopped Filter



Counting



Counting Lines



Tailgating Filter



3D Calibration



Abandoned Object Filter



Removed Object Filter



Direction Filter

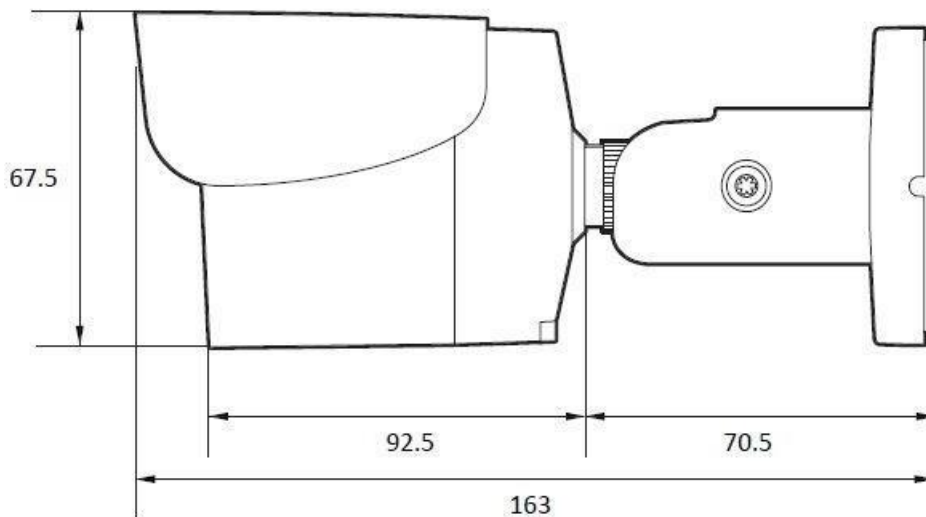
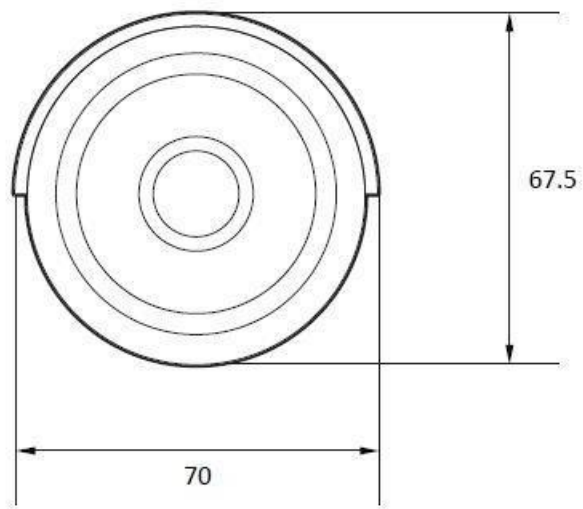


Logical Rules

Technical Specification

Dimensions

(Unit: mm)





BJC07