

## Technical Specifications

# STARVIS 4K IR Dome IP Camera

FOR EXTERNAL APPLICATION

- 30fps at 8MP
- H.265, H.264 and MJPEG compression
- Superior low light performance
- Remote zoom and focus lens (auto-focus)
- Wave Stream : Smart Compression Technology based on bit rate Control ,ROI
- Wave VCA \* : Intelligence Built in Analytics at Camera Level
- Power over Ethernet (IEEE 802.3af)



CAMERA	
Model	IP- 30503LDO
Image Sensor	SONY STARVIS EXMOR 1/2.8" 8.29M CMOS
Effective Pixels	3840(H) x 2160(V)
Scanning System	Progressive scanning
AGC Control	Auto
IRIS Type	P-IRIS
Minimum Illumination	Color: 0.09 Lux / B/W : 0 Lux (IR LED On)
Lens	2.7 - 13.5 mm, F1.4
Angle of View	Horizontal: Approx. 90.3°(Wide) to 33.1°(Tele)
Shutter Time	Auto / Manual: 1/30 ~ 1/32,000, Anti-Flicker, Slow Shutter (1/2,1/3,1/5,1/6,1/7.5,1/10)
Day & Night	True Day & Night (Removable IR-cut filter)
Wide Dynamic Range	True WDR (Max. 15fps when WDR is on)
S/N Ratio	50 dB

IR ILLUMINATOR	
IR LED	2 x High Power LED
IR Working Distance	30m

VIDEO	
Video Compression	H.265, H.264, MJPEG
Profile	H.264 : MP / HP H.265 : MP
Multiple Profile Streaming Performance	3840x2160p30 + 480p30 with H.264,H265 + MJPEG
Max Resolution	3840 x 2160
Video Bit Rate	100Kbps ~ 10Mbps Multi-rate for Preview and Recording
Bitrate Control	Multi Streaming CBR/VBR (Controllable frame rate and Bandwidth)
Digital Noise Reduction	3D-DNR
Privacy Mask	16 programmable zones
Special Features	WaveCapture: Smart Bitrate Control, Region of Interest
Other Image Processing	Configurable Exposure, White Balance, Sharpness
Image Orientation	Flip / Mirror / Corridor Mode
Analogue Output	1 (Installation only) CVBS 1.0V p-p (75Ω), 4:3 aspect ratio

AUDIO	
Audio Streaming	Two way
Audio Compression	G.711
Audio input / output	1 / 1

EVENT	
Event Trigger	Motion Alarm, Temperature critical, DI
Pre-Post Recording	Pre: 1~5 sec Post: 1~240 sec
Event Notification	FTP, E-mail, Alarm-out, SD card

NETWORK	
Ethernet Standard	10 / 100 / 1000Base-T
IP	IPv4
Protocol	TCP/IP, UDP, AutoIP, RTP(UDP/TCP), RTSP, NTP, HTTP, HTTPS, SSL, DNS, DDNS, DHCP, FTP, SMTP, ICMP, SNMPv1/v2/v3(MIB-2), ONVIF
Security	HTTPS(SSL), IP filtering, 802.1x, Digest Authentication
Plug In	ONVIF Profile S, CGI API

GENERAL	
Material	Aluminum Die-casting, White
External I/O Terminals	1 x Alarm In / 1 x Alarm Out
Language on webpage	English
Power Source	DC12V, PoE(IEEE 802.3af)
Power Consumption	DC12V Max 9.3W, PoE Max 11.6W
Operating Conditions	Humidity 10 ~ 90% RH (non-condensing) [DC12V / PoE] -30°C ~ 50°C (-22°F ~ 122°F)
Approvals	FCC, CE, IP67, IK10
Weight	0.85 kg
Dimensions (D x H)	Ø125 x 92 mm

EDGE STORAGE	
Storage	1x microSD / microSDHC / microSDXC (card not included)

## Technical Specifications

### WAVEVCA: Intelligence Built-in Cameras Analytics

#### Basic features

**Analytics Engine** WVCA Technology's advanced tracking algorithm with rich library of detection behaviors

**Detection Zones and Rules** 40 zones (Multi-

segment Polygons and Lines) in total, 60 rules in total as standard

**Intrusion Detection** Detection of the presence of an object

**Tamper Detection** Supported as standard

#### Optional features

**Detection Behavior** Enter, Exit, Appear, Disappear, Stop, Direction, Dwell filter, Abandoned/Removed object filter, Tailgating

**Logical Rules** Extends standard rules to allow various combinations of the inputs

**3D Behavior** Perspective Corrected Size and Speed Filters

**Object Classification** - Configured Max./Min. object sizes and Max./Min. speeds

**Counting Line** High accuracy people and vehicle counting, 20 counters in total

**Meta Data** JSON format, Plain XML format

#### Basic features



Intrusion  
Detection



Zones &  
lines



Tamper  
Detection

#### Optional features\*



Appear  
Filter



Disappear  
Filter



Dwell  
Filter



Enter  
Filter



Exit  
Filter



Stopped  
Filter



Counting



Counting  
Lines



Tailgating  
Filter



3D  
Calibration



Abandoned  
Object  
Filter



Removed  
Object  
Filter



Direction  
Filter

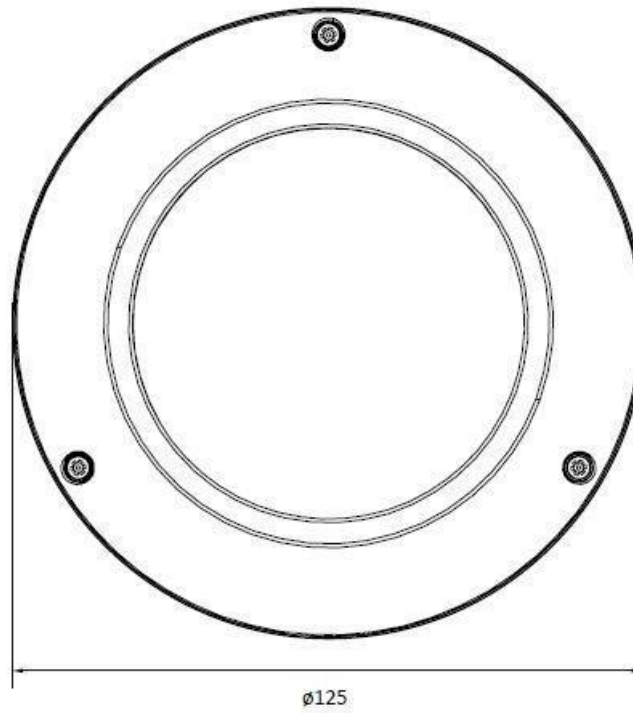
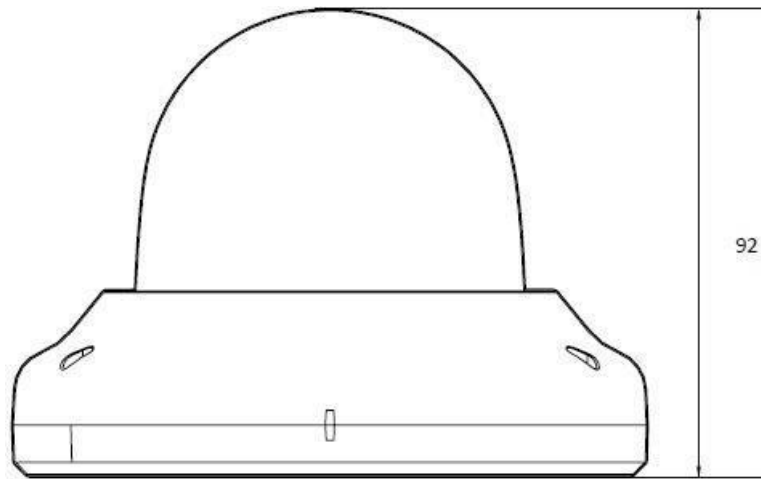


Logical  
Rules

Technical Specification

Dimensions

(Unit: mm)



# IP-30503LDO

## Accessories



**BW10**



**BC10**



**BP01**



**BCO01**